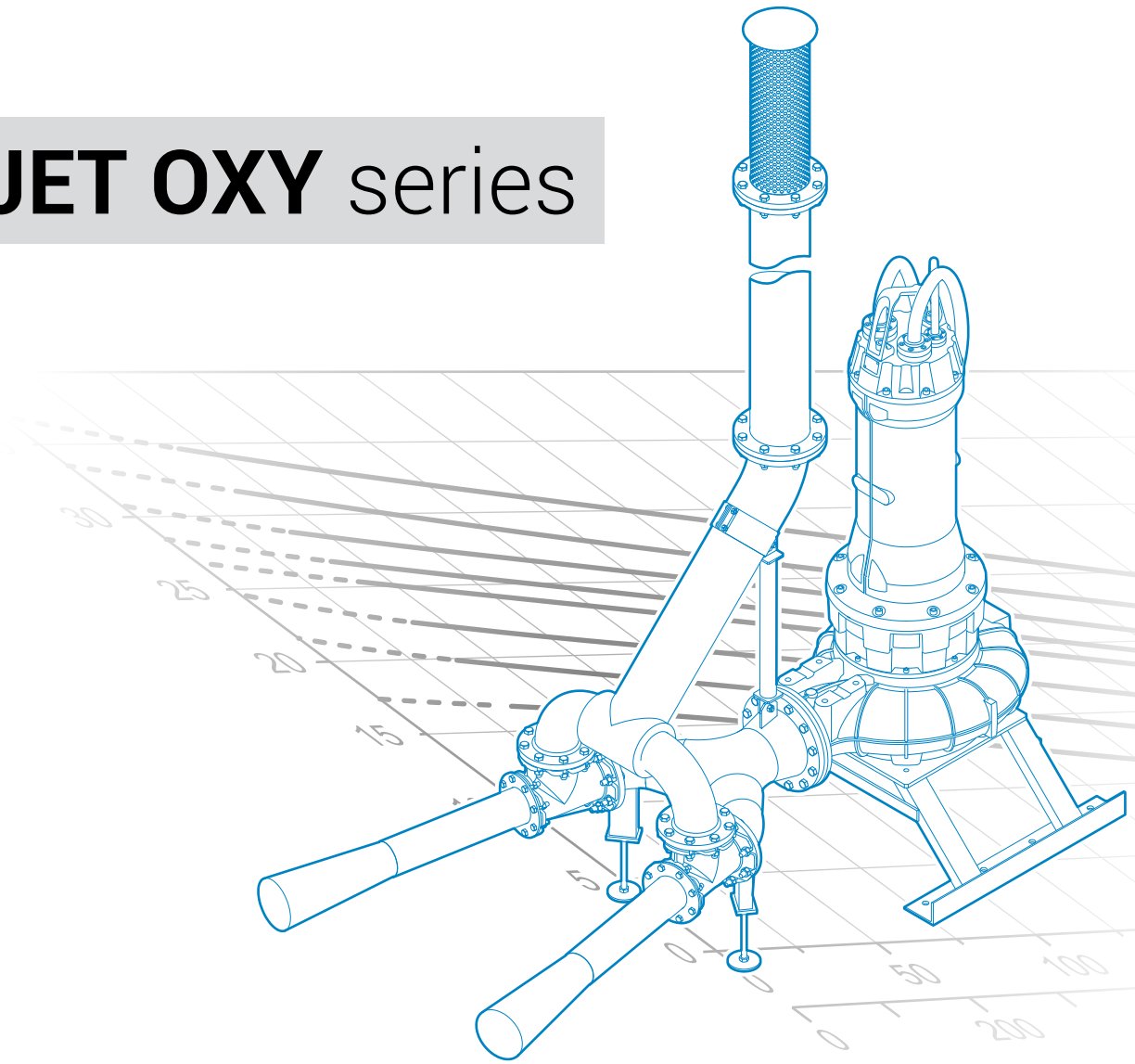




better together

50Hz

JET OXY series



D A T A B O O K L E T

zenit.com

EN



better together

JET OXY series



D A T A B O O K L E T

JET OXY series

JET OXY submerged oxygenation systems are used in industrial and other wastewater and sludge treatment plants, or whenever combined oxygenation and mixing are required.

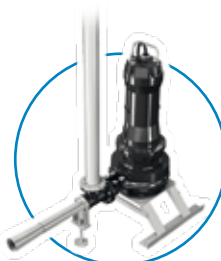
They consist of submersible pumps with power levels up to 30 kW and channel impellers with large free passage combined with "OXY" series ejectors.



JET OXY 50

pag. 5

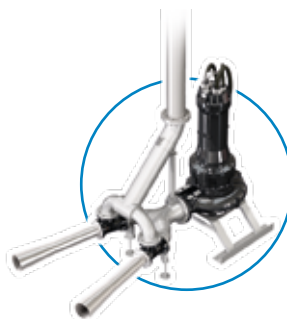
- Suitable for use with DRO (open channel impeller) and DGO (vortex impeller) pumps
- Three-phase motor 400V 50Hz 2 poles
- 0.37 ÷ 1.5 kW power
- Ø27 mm diaphragm
- Ø3/4" air intake pipe
- Cast iron OXY body (cone + integral diaphragm)



JET OXY 80 ÷ 150

pag. 8

- UNIQA series or DRG series (channels impeller) pumps
- Three-phase motor 400V 50Hz 4 poles
- 3.0 ÷ 15 kW power
- Ø55/95 mm diaphragm
- DN100/150 air intake pipe with flue filter
- Stainless steel diffuser cone



JET OXY 2x150

pag. 16

- UNIQA series (channels impeller)
- Three-phase motor 400V 50Hz 4 poles
- 15 ÷ 30 kW power
- Ø95 mm diaphragm
- DN200 air intake pipe
- Stainless steel double diffuser cone

Key to product code

J-OXY 2 ZUG OC 250H 30/4 AW 315 SA

① ② ③ ④ ⑤ ⑥ ⑦ ⑧ ⑨ ⑩ ⑪ ⑫

① Product name
J-OXY = aeration system

② Nr of ejectors
1 = 1 eiettore
2 = 2 eiettori

③ Product name
ZUG = Zenit UNIQA

④ Type of impeller
OC = open channel

⑤ Discharge port diameter in mm

⑥ Hydraulic variant

⑦ Power in kW

⑧ Motor poles

⑨ Motor variant

⑩ Operating mode
D = Dry
W = Wet

⑪ Nominal diameter of impeller (in mm)

⑫ Holes for installation/accessories

JET OXY 50

J-OXY 1 DRO

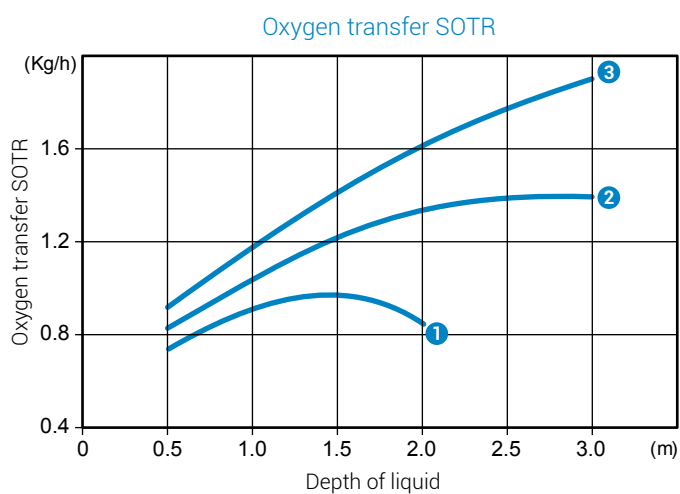
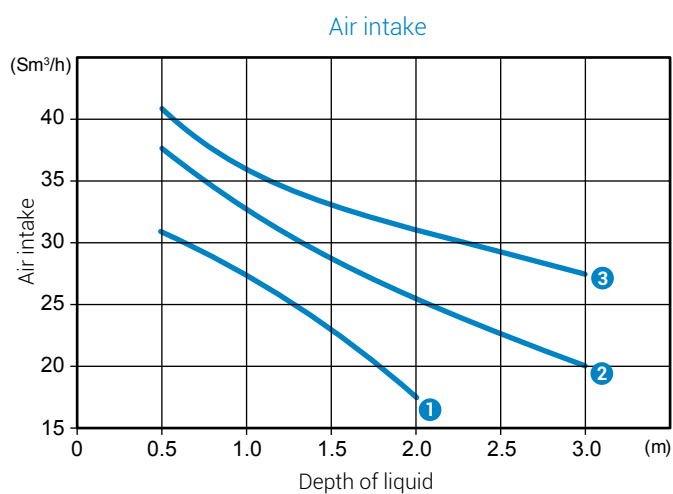
Models with DR hydraulic units for clean water

Characteristics

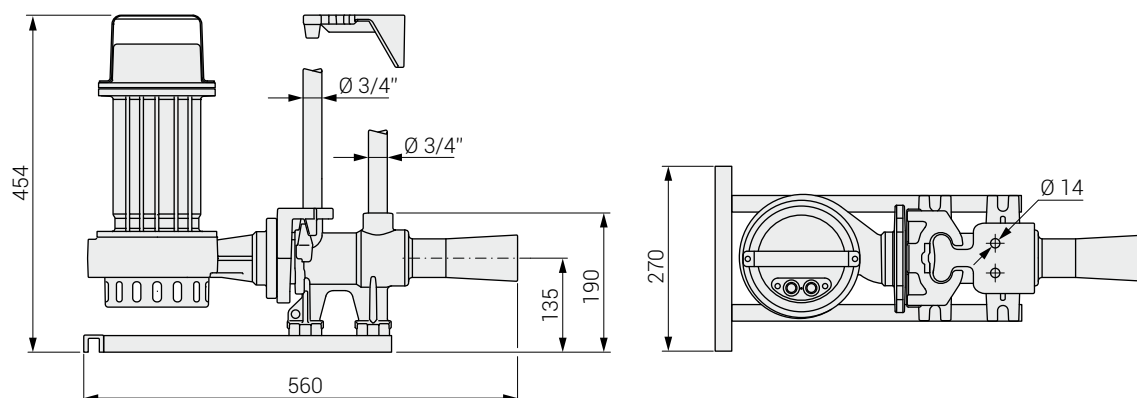
Curve	Model	EJECTOR			PUMP			
		nr.	Type	Ø diaphragm (mm)	Model	P2 (kW)	Poles	A
1	J-OXY 1 DRO 100/2	1	5027	27	DRO 100/2/G50H A	0.88	2	2.3
2	J-OXY 1 DRO 150/2	1	5027	27	DRO 150/2/G50H A	1.1	2	2.7
3	J-OXY 1 DRO 200/2	1	5027	27	DRO 200/2/G50H A	1.5	2	3.6

Power supply voltage 400V/3/50Hz

Performances



Dimensions



J-OXY 1 DGO

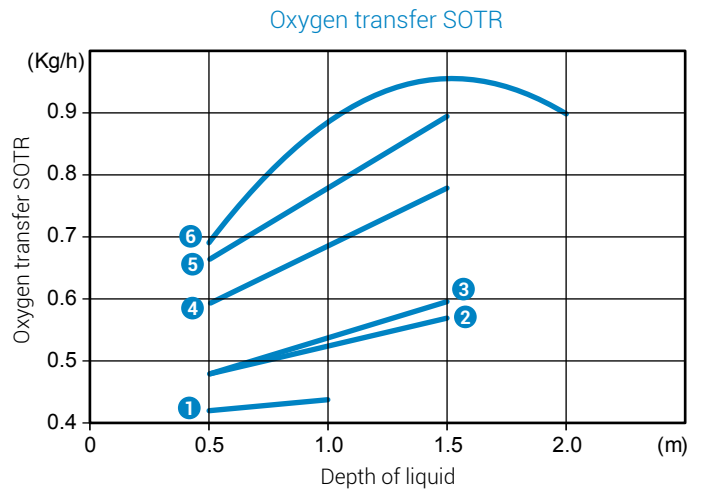
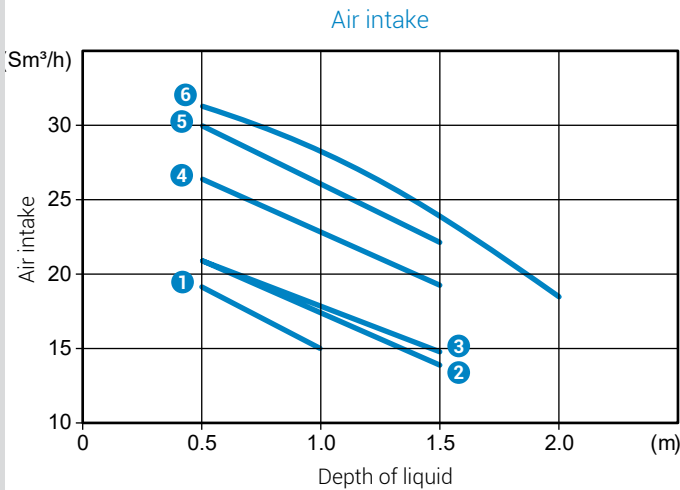
Models with DG hydraulic units for sewage liquids

Characteristics

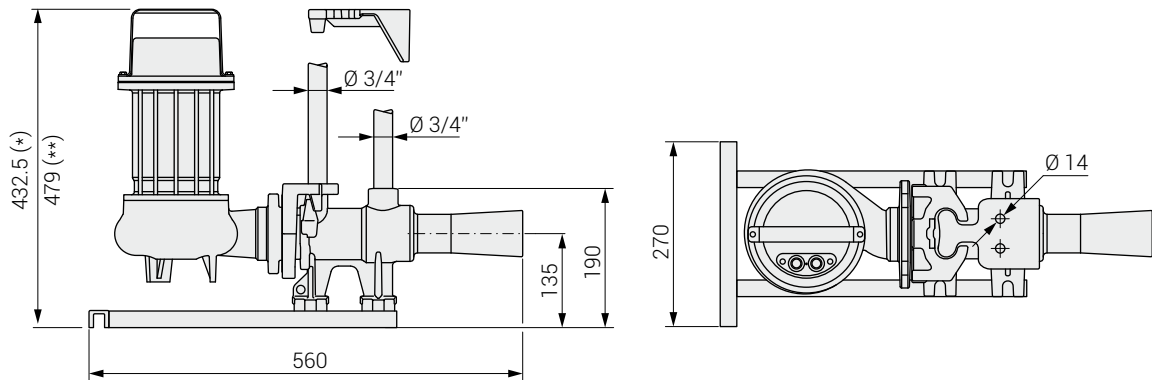
Curve	Model	EJECTOR			PUMP			
		nr	Type	Ø diaphragm (mm)	Model	P2 (kW)	Poles	A
1	J-OXY 1 DGO 50/2	1	5027	27	DGO 50/2/G50H A	0.37	2	1.1
2	J-OXY 1 DGO 75/2	1	5027	27	DGO 75/2/G50H A	0.55	2	1.4
3	J-OXY 1 DGO 100/4	1	5027	27	DGO 100/4/G50H A	0.7	4	2.2
4	J-OXY 1 DGO 100/2	1	5027	27	DGO 100/2/G50H A	0.88	2	2.3
5	J-OXY 1 DGO 150/2	1	5027	27	DGO 150/2/G50H A	1.1	2	2.5
6	J-OXY 1 DGO 200/2	1	5027	27	DGO 200/2/G50H A	1.5	2	3.6

Power supply voltage 400V/3/50Hz

Performances



Dimensions

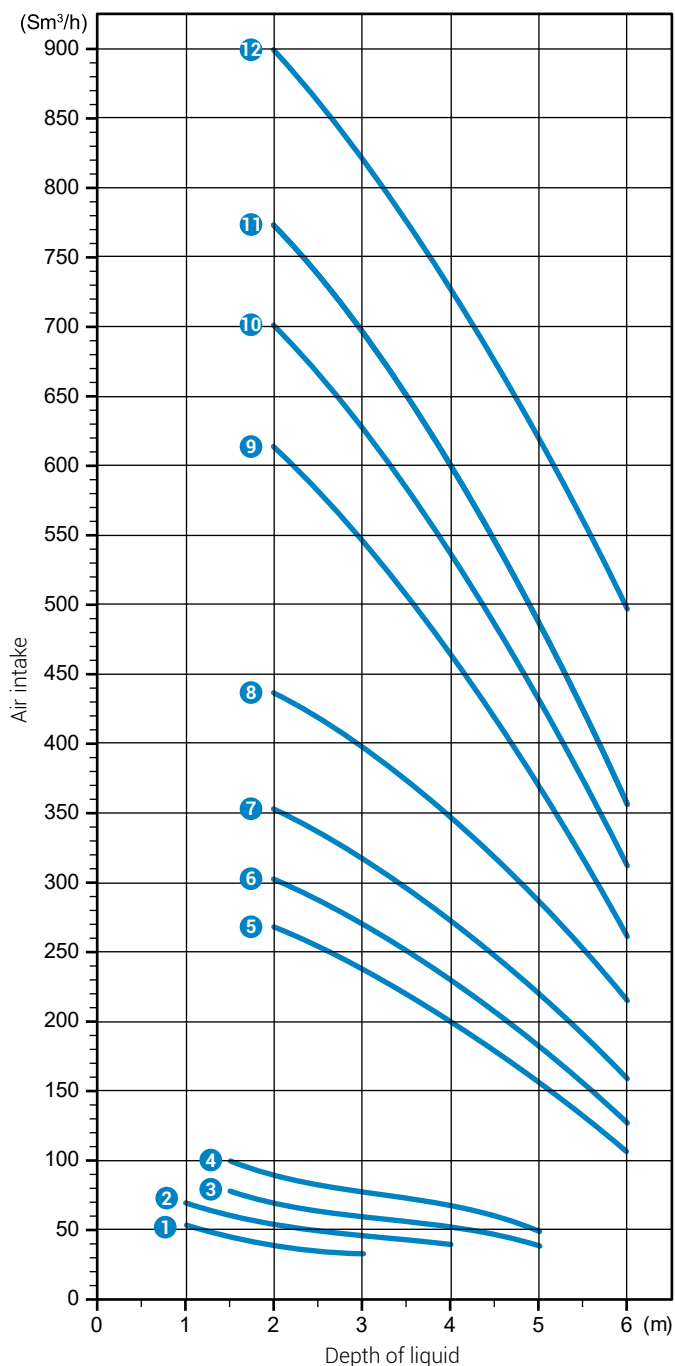


(*) DGO 50 - 75

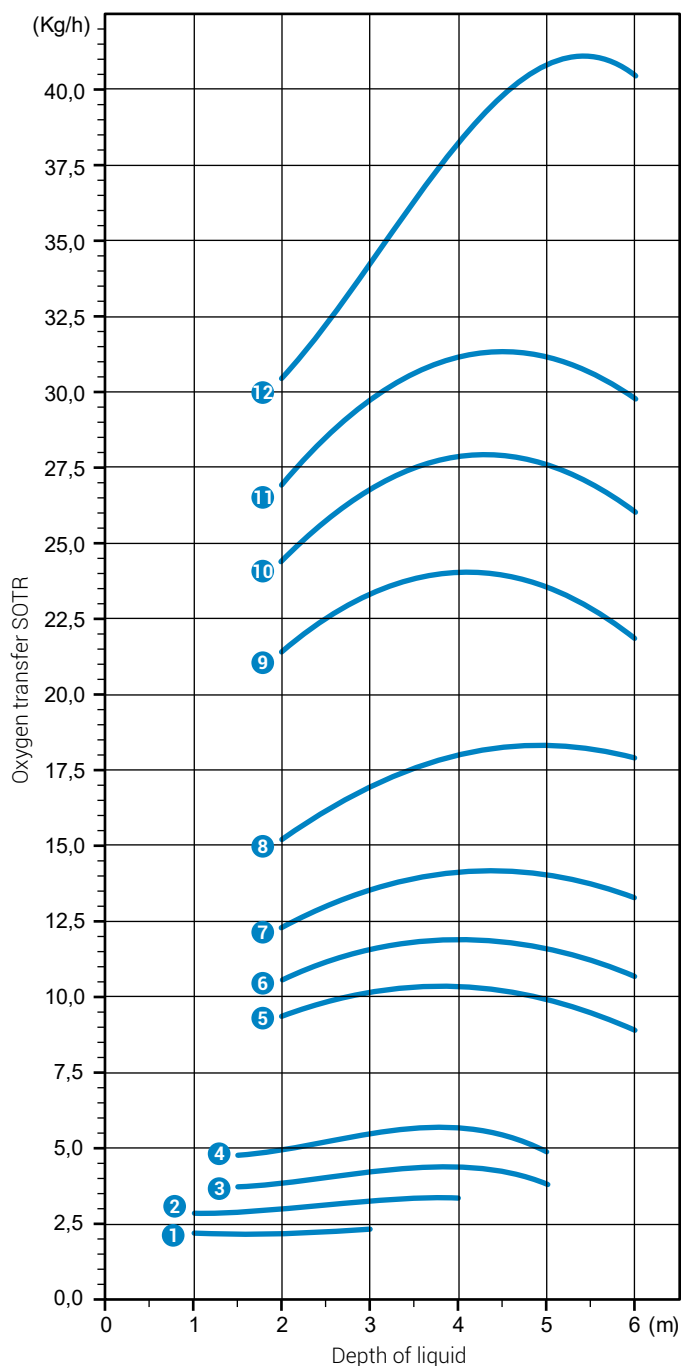
(**) DGO 100 - 150 - 200

JET OXY 80 ÷ 150 and JET OXY 2x150

Air intake



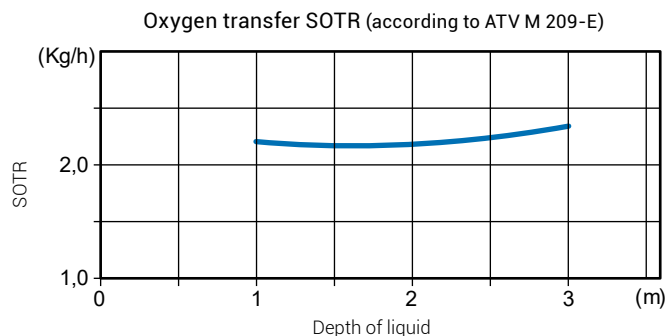
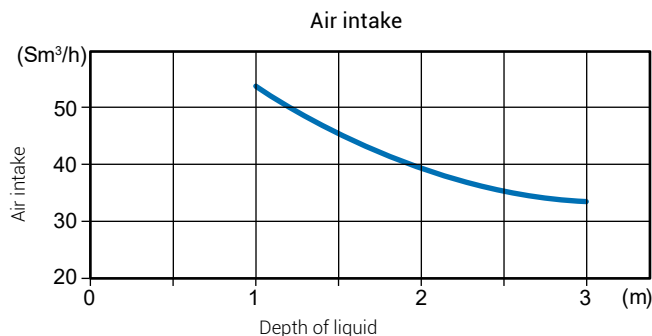
Oxygen transfer SOTR



Curve	Model
1	J-OXY 1 DRG 400/4/80
2	J-OXY 1 DRG 550/4/80
3	J-OXY 1 ZUG OC 100J 5.5/4 AW 210 SA
4	J-OXY 1 ZUG OC 100H 7.5/4 AW 255 SA
5	J-OXY 1 ZUG OC 150A 7.5/4 AW 230 SA
6	J-OXY 1 ZUG OC 150A 9/4 AW 235 SA

Curve	Model
7	J-OXY ZUG OC 150A 11/4 AW 245 SA
8	J-OXY ZUG OC 150A 15/4 AW 270 SA
9	J-OXY 2 ZUG OC 250H 15/4 AW 269 SA
10	J-OXY 2 ZUG OC 250H 18.5/4 AW 275 SA
11	J-OXY 2 ZUG OC 250H 22/4 AW 290 SA
12	J-OXY 2 ZUG OC 250H 30/4 AW 315 SA

J-OXY 1 DRG 400/4/80



PUMP

DRG 400/4/80 H0ET5

Motor data

Rated voltage	400 V
Frequency	50 Hz
Motor phases	3~
Number of poles	4
Rated power P2	3.0 kW
Incoming power P1	3.68 kW
Rated current	6.7 A
rpm	1383 1/min
cos φ	0.79
Rated torque	20.7 Nm
Start	Diretto
Degree of protection	IP68
Insulation class	H
Weight	61.8 kg

Hydraulic

Free passage	75 mm
Impeller type	Channels
Discharge	DN80

Materials

Case	Cast iron EN-GJL 250
Shaft	AISI 431 stainless steel
Hydraulic	Cast iron EN-GJL 250
Impeller	Cast iron EN-GJL 250
Painting	Bi-epoxy 200 μm
Screws	Stainless steel - Class A2-70
Gaskets	NBR

Characteristics

Main cable	4G1.5 + 3x1
Cable length	10 m
Mechanical seals	Nr. 2 in silicon carbide (SiC) in oil chamber

Monitoring option

Motor with thermal protection
Nr. 1 leakage sensor in mechanical seals oil chamber

BASE

KBS S-OXY 1/8055-8063 35-50 [cod. 7027.200]

SYSTEM OXY

S-OXY 80 1/8055 (NO BASE/TUBO) [cod. 7027.501]

Characteristics

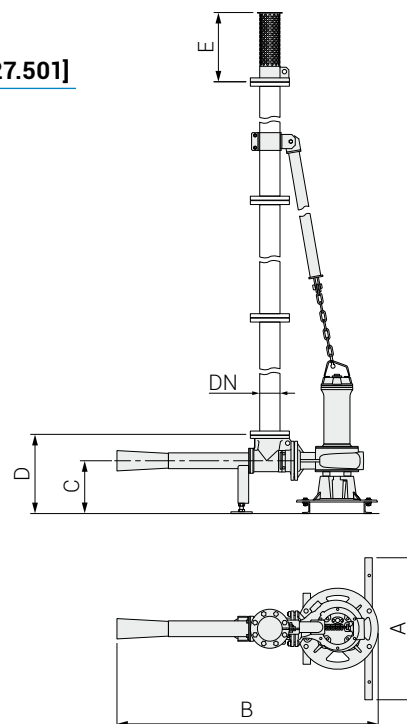
Diaphragm	55 mm
Air intake pipe	DN 100
Pipe diffuser	1 x DN 80/100

Materials

Body	Cast iron EN-GJL 250
Diffuser cone	AISI 304 stainless steel
Diaphragm coating	Vulkollan
Screws	A2 stainless steel
Painting	Environment-friendly epoxy-vinyl

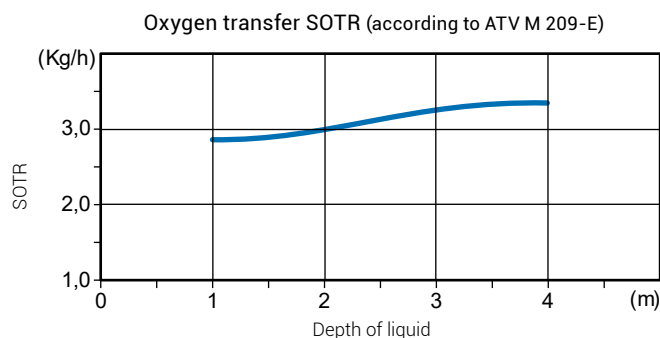
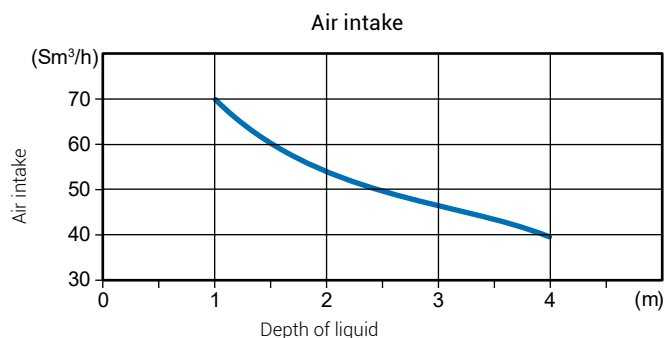
Dimensions (mm)

A	800	E	390
B	1472	DN	100
C	298	(*)	111.8 kg
D	446		



(*) Air intake pipe not included

J-OXY 1 DRG 550/4/80



PUMP

DRG 550/4/80 D0FT5

Motor data

Rated voltage	400 V
Frequency	50 Hz
Motor phases	3~
Number of poles	4
Rated power P2	4.0kW
Incoming power P1	4.62 kW
Rated current	8.4 A
rpm	1433 1/min
cos φ	0.794
Rated torque	26.7 Nm
Start	Diretto
Degree of protection	IP68
Insulation class	H
Weight	110 kg

Hydraulic

Free passage	65x60 mm
Impeller type	Channels
Discharge	DN80

Materials

Case	Cast iron EN-GJL 250
Shaft	AISI 431 stainless steel
Hydraulic	Cast iron EN-GJL 250
Impeller	Cast iron EN-GJL 250
Painting	Bi-epoxy 200 μm
Screws	Stainless steel - Class A2-70
Gaskets	NBR

Characteristics

Main cable	4G1.5 + 3x1
Cable length	10 m
Mechanical seals	Nr. 2 in silicon carbide (SiC) in oil chamber

Monitoring option

Motor with thermal protection
Nr. 1 leakage sensor in mechanical seals oil chamber

BASE

KBS 4F I345 [AZ] (S) [cod.9024.015]

SYSTEM OXY

S-OXY 80 1/8055 (NO BASE/TUBO) [cod. 7027.501]

Characteristics

Diaphragm	55 mm
Air intake pipe	DN100
Pipe diffuser	1 x DN80/DN100

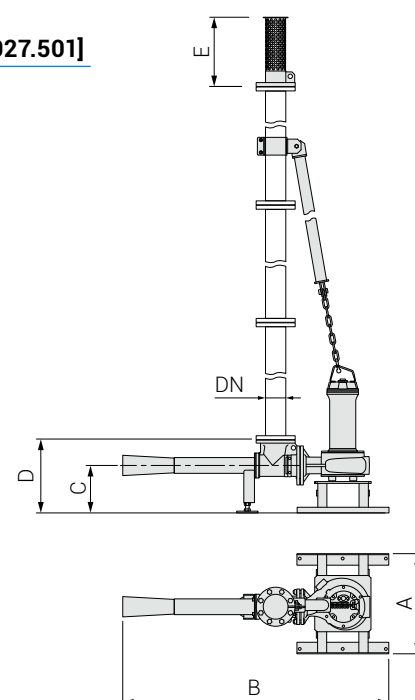
Materials

Body	Cast iron EN-GJL 250
Diffuser cone	AISI 304 stainless steel
Diaphragm coating	Vulkollan
Screws	A2 stainless steel
Painting	Environment-friendly epoxy-vinyl

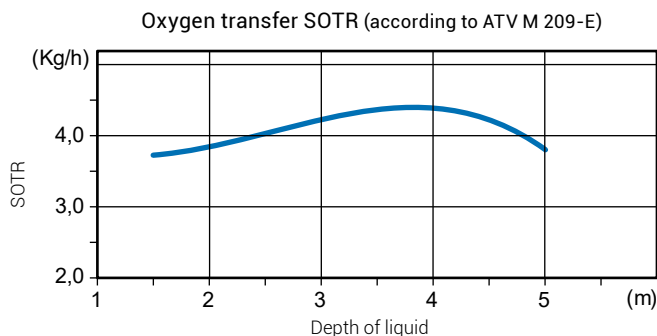
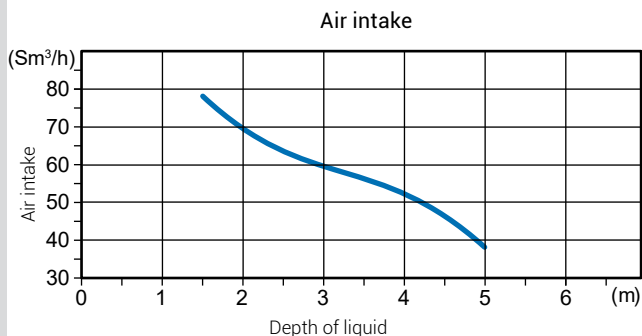
Dimensions (mm)

A	700	E	390
B	1594	DN	100
C	345	Weight (*)	160 kg
D	494		

(*) Air intake pipe not included



J-OXY 1 ZUG OC 100J 5.5/4 AW 210 SA



PUMP

ZUG OC 100J 5.5/4 AW 210 SA

Motor data

Rated voltage	400 V
Frequency	50 Hz
Motor phases	3~
Number of poles	4
Rated power P2	5.5 kW
Incoming power P1	6.1 kW
Rated current	11.7 A
rpm	1450 1/min
Efficiency	89.6 %
cos φ	0.76
Start	Y/Δ
Starting current	21.3 A
Degree of protection	IP68
Insulation class	H
Motor efficiency class ref	IE3
Weight	194 kg

Hydraulic

Free passage	65 mm
Impeller type	Open channels
Discharge	DN100

Materials

Case	Cast iron EN-GJL 250
Shaft	AISI 431 stainless steel
Hydraulic	Cast iron EN-GJL 250
Impeller	Cast iron EN-GJL 250
Painting	Bi-epoxy 200 μm
Screws	Stainless steel - Class A2-70
Gaskets	NBR

Characteristics

Main cable	4G1.5 + 3x1
Cable length	10 m
Mechanical seals	Nr. 2 in silicon carbide (SiC) in oil chamber

Monitoring option

Monitoring option	BB
- n.3 bimetal thermal protectors (Klixon)	
- n.1 double leakage sensor, mechanical seals chamber and stator housing (1 signal)	

BASE

KBS 4F I345 [AZ] (S) [cod. 9024.015]

SYSTEM OXY

S-OXY 80 1/8063 (NO BASE/TUBO) [cod. 7027.504]

Characteristics

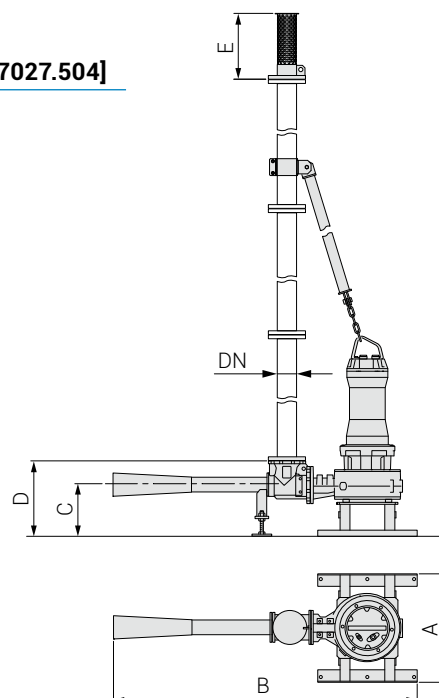
Diaphragm	63 mm
Air intake pipe	DN100
Pipe diffuser	1 x DN80/DN100

Materials

Body	Cast iron EN-GJL 250
Diffuser cone	AISI 304 stainless steel
Diaphragm coating	Vulkollan
Screws	A2 stainless steel
Painting	Environment-friendly epoxy-vinyl

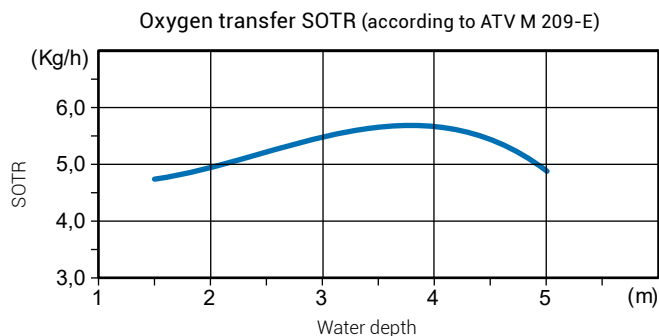
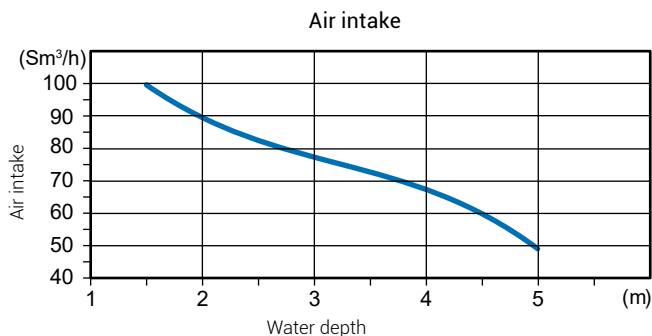
Dimensions (mm)

A	700	E	390
B	1695	F	-
C	345	DN	100
D	494	(*)	244 kg



(*) Air intake pipe not included

J-OXY 1 ZUG OC 100H 7.5/4 AW 255 SA



PUMP

ZUG OC 100H 7.5/4 AW 255 SA

Motor data

Rated voltage	400 V
Frequency	50 Hz
Motor phases	3~
Number of poles	4
Rated power P2	7.5 kW
Incoming power P1	8.3 kW
Rated current	14.5 A
rpm	1460 1/min
Efficiency	90.4 %
cos φ	0.83
Start	Y/Δ
Starting current	32.2 A
Degree of protection	IP68
Insulation class	H
Motor efficiency class ref	IE3
Weight	234.9 kg

Hydraulic

Free passage	80 mm
Impeller type	Open channels
Discharge	DN100

Materials

Case	Cast iron EN-GJL 250
Shaft	AISI 431 stainless steel
Hydraulic	Cast iron EN-GJL 250
Impeller	Cast iron EN-GJL 250
Painting	Bi-epoxy 200 μm
Screws	Stainless steel - Class A2-70
Gaskets	NBR

Characteristics

Main cable	4G1.5 + 3x1
Cable length	10 m
Mechanical seals	Nr. 2 in silicon carbide (SiC) in oil chamber

Monitoring option

Monitoring option	BB
	- n.3 bimetal thermal protectors (Klixon)
	- n.1 double leakage sensor, mechanical seals chamber and stator housing (1 signal)

BASE

KBS 4F I345 [AZ] (S) [cod. 9024.015]

SYSTEM OXY

S-OXY 80 1/8063 (NO BASE/TUBO) [cod. 7027.504]

Characteristics

Diaphragm	63 mm
Air intake pipe	DN100
Pipe diffuser	1 x DN80/DN100

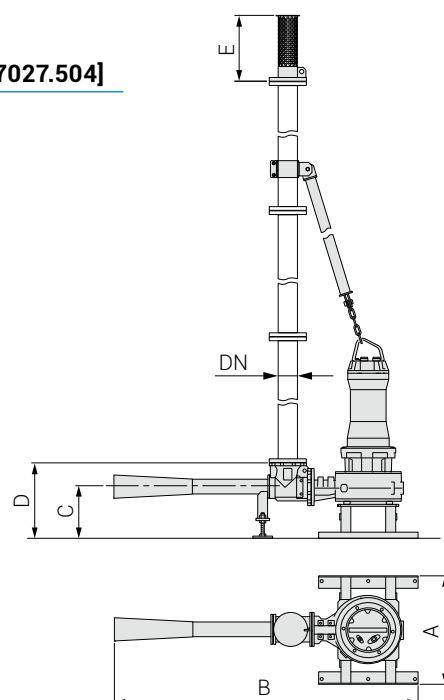
Materials

Body	Cast iron EN-GJL 250
Diffuser cone	AISI 304 stainless steel
Diaphragm coating	Vulkollan
Screws	A2 stainless steel
Painting	Environment-friendly epoxy-vinyl

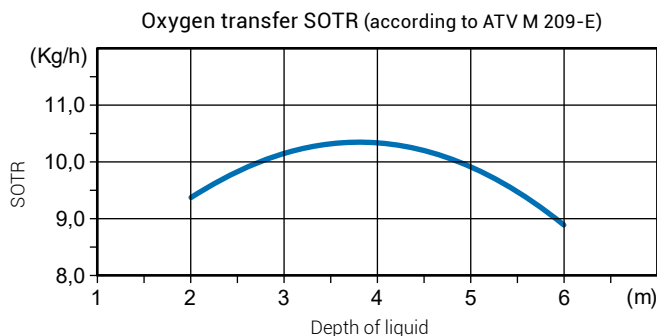
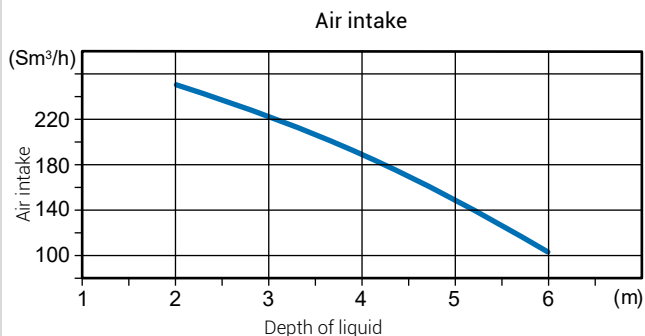
Dimensions (mm)

A	700	E	390
B	1641	F	-
C	345	DN	100
D	494	Weight (*)	284.9 kg

(*) Air intake pipe not included



J-OXY 1 ZUG OC 150A 7.5/4 AW 230 SA



PUMP ZUG OC 150A 7.5/4 AW 230 SA

Motor data

Rated voltage	400 V
Frequency	50 Hz
Motor phases	3~
Number of poles	4
Rated power P2	7.5 kW
Incoming power P1	8.3 kW
Rated current	14.5 A
rpm	1460 1/min
Efficiency	90.4 %
cos φ	0.83
Start	Y/Δ
Starting current	32.2 A
Degree of protection	IP68
Insulation class	H
Motor efficiency class ref	IE3
Weight	252.1 kg

Hydraulic

Free passage	80 mm
Impeller type	Open channels
Discharge	DN150

Materials

Case	Cast iron EN-GJL 250
Shaft	AISI 431 stainless steel
Hydraulic	Cast iron EN-GJL 250
Impeller	Cast iron EN-GJL 250
Painting	Bi-epoxy 200 μm
Screws	Stainless steel - Class A2-70
Gaskets	NBR

Characteristics

Main cable	7G1.5 + 3x1
Cable length	10 m
Mechanical seals	Nr. 2 in silicon carbide (SiC) in oil chamber

Monitoring option

Monitoring option	BB
- n.3 bimetal thermal protectors (Klixon)	
- n.1 double leakage sensor, mechanical seals chamber and stator housing (1 signal)	

BASE KBS 4F I345 [AZ] (S) [cod. 9024.015]

SYSTEM OXY S-OXY 150 1/15095 (NO BASE/TUBO) [cod. 7027.514]

Characteristics

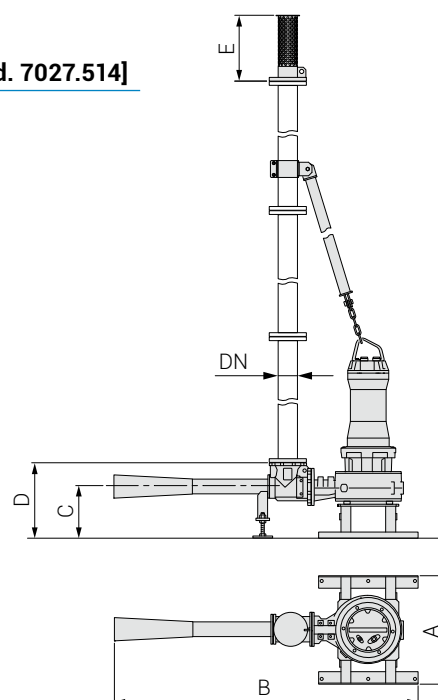
Diaphragm	95 mm
Air intake pipe	DN150
Pipe diffuser	1 x DN150

Materials

Body	Cast iron EN-GJL 250
Diffuser cone	AISI 304 stainless steel
Diaphragm coating	Vulkollan
Screws	A2 stainless steel
Painting	Environment-friendly epoxy-vinyl

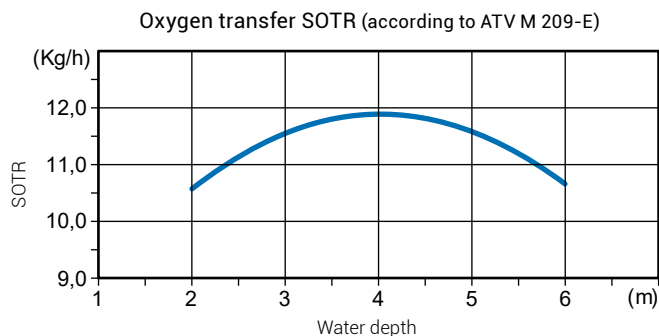
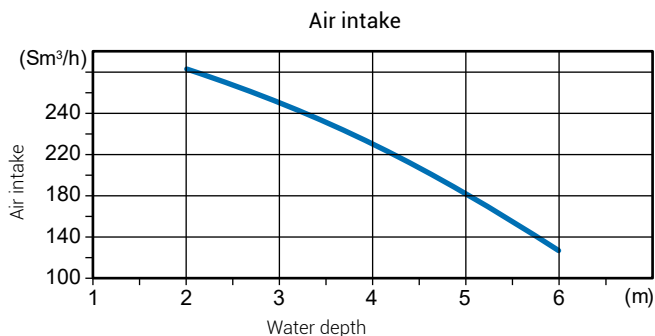
Dimensions (mm)

A	700	E	554
B	2128	F	-
C	351	DN	150
D	544	(*)	615.1 kg



(*) Air intake pipe not included

J-OXY 1 ZUG OC 150A 9/4 AW 235 SA



PUMP

ZUG OC 150A 9/4 AW 235 SA

Motor data

Rated voltage	400 V
Frequency	50 Hz
Motor phases	3~
Number of poles	4
Rated power P2	9.0 kW
Incoming power P1	9.9 kW
Rated current	18.3 A
rpm	1465 1/min
Efficiency	90.8 %
cos φ	0.78
Start	Y/Δ
Starting current	44.7 A
Degree of protection	IP68
Insulation class	H
Motor efficiency class ref	IE3
Weight	273.1 kg

Hydraulic

Free passage	80 mm
Impeller type	Open channels
Discharge	DN150

Materials

Case	Cast iron EN-GJL 250
Shaft	AISI 431 stainless steel
Hydraulic	Cast iron EN-GJL 250
Impeller	Cast iron EN-GJL 250
Painting	Bi-epoxy 200 μm
Screws	Stainless steel - Class A2-70
Gaskets	NBR

Characteristics

Main cable	7G1.5 + 3x1
Cable length	10 m
Mechanical seals	Nr. 2 in silicon carbide (SiC) in oil chamber

Monitoring option

Monitoring option	BB
	- n.3 bimetal thermal protectors (Klixon)
	- n.1 double leakage sensor, mechanical seals chamber and stator housing (1 signal)

BASE

KBS 4F I345 [AZ] (S) [cod. 9024.015]

SYSTEM OXY

S-OXY 150 1/15095 (NO BASE/TUBO) [cod. 7027.514]

Characteristics

Diaphragm	95 mm
Air intake pipe	DN150
Pipe diffuser	1 x DN150

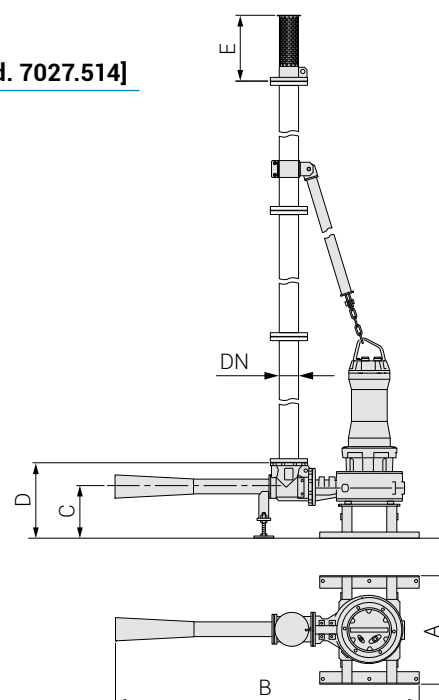
Materials

Body	Cast iron EN-GJL 250
Diffuser cone	AISI 304 stainless steel
Diaphragm coating	Vulkollan
Screws	A2 stainless steel
Painting	Environment-friendly epoxy-vinyl

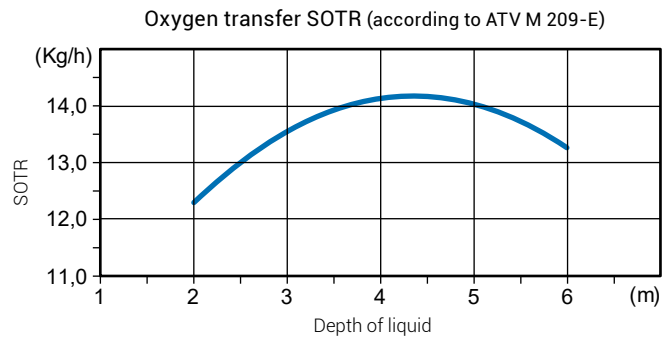
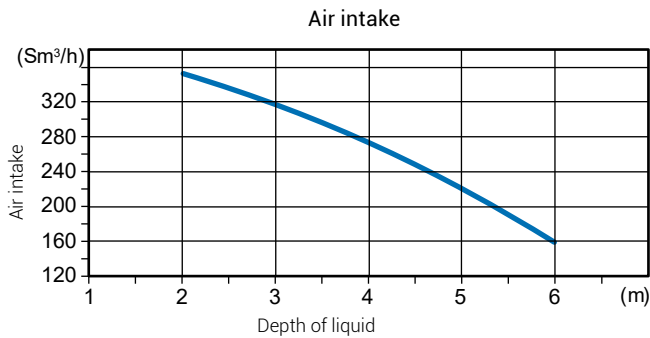
Dimensions (mm)

A	700	E	554
B	2128	F	-
C	351	DN	150
D	544	(*)	363.1 kg

(*) Air intake pipe not included



J-OXY 1 ZUG OC 150A 11/4 AW 245 SA



PUMP

ZUG OC 150A 11/4 AW 245 SA

Motor data

Rated voltage	400 V
Frequency	50 Hz
Motor phases	3~
Number of poles	4
Rated power P2	11.0 kW
Incoming power P1	12.0 kW
Rated current	21.3 A
rpm	1475 1/min
Efficiency	91.4 %
cos φ	0.81
Start	Y/Δ
Starting current	52.0 A
Degree of protection	IP68
Insulation class	H
Motor efficiency class ref	IE3
Weight	324.3 kg

Hydraulic

Free passage	80 mm
Impeller type	Open channels
Discharge	DN150

Materials

Case	Cast iron EN-GJL 250
Shaft	AISI 431 stainless steel
Hydraulic	Cast iron EN-GJL 250
Impeller	Cast iron EN-GJL 250
Painting	Bi-epoxy 200 μm
Screws	Stainless steel - Class A2-70
Gaskets	NBR

Characteristics

Main cable	7G1.5 + 3x1
Cable length	10 m
Mechanical seals	Nr. 2 in silicon carbide (SiC) in oil chamber

Monitoring option

Monitoring option	BB
- n.3 bimetal thermal protectors (Klixon)	
- n.1 double leakage sensor, mechanical seals chamber and stator housing (1 signal)	

BASE

KBS 4F I345 [AZ] (S) [cod. 9024.015]

SYSTEM OXY

S-OXY 150 1/15095 (NO BASE/TUBO) [cod. 7027.514]

Characteristics

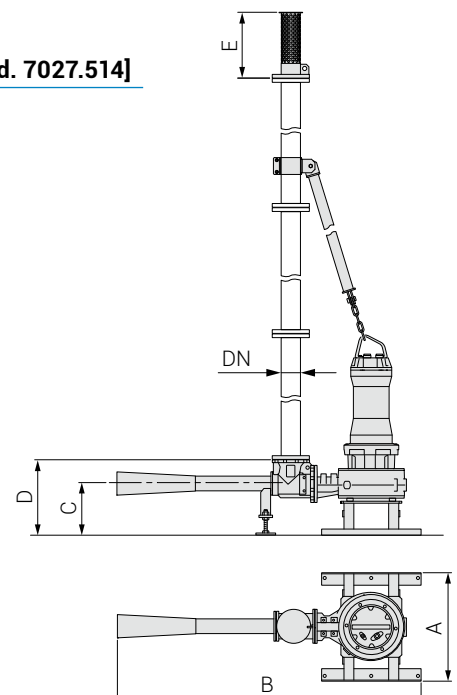
Diaphragm	95 mm
Air intake pipe	DN150
Pipe diffuser	1 x DN150

Materials

Body	Cast iron EN-GJL 250
Diffuser cone	AISI 304 stainless steel
Diaphragm coating	Vulkollan
Screws	A2 stainless steel
Painting	Environment-friendly epoxy-vinyl

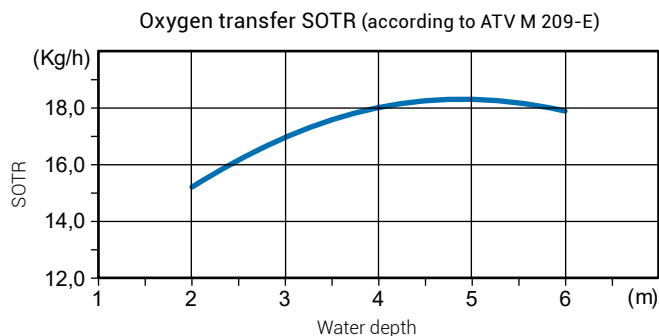
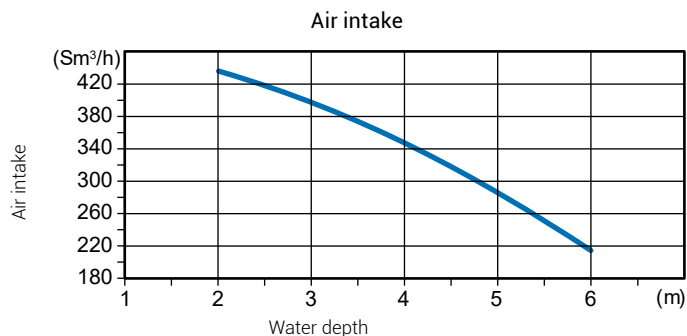
Dimensions (mm)

A	700	E	554
B	2128	F	-
C	351	DN	150
D	544	(*)	414.3 kg



(*) Air intake pipe not included

J-OXY 1 ZUG OC 150A 15/4 AW 270 SA



PUMP

ZUG OC 150A 15/4 AW 270 SA

Motor data

Rated voltage	400 V
Frequency	50 Hz
Motor phases	3~
Number of poles	4
Rated power P2	15.0 kW
Incoming power P1	16.3 kW
Rated current	28.2 A
rpm	1470 1/min
Efficiency	91.9 %
cos φ	0.84
Start	Y/Δ
Starting current	59.4 A
Degree of protection	IP68
Insulation class	H
Motor efficiency class ref	IE3
Weight	338 kg

Hydraulic

Free passage	80 mm
Impeller type	Open channels
Discharge	DN150

Materials

Case	Cast iron EN-GJL 250
Shaft	AISI 431 stainless steel
Hydraulic	Cast iron EN-GJL 250
Impeller	Cast iron EN-GJL 250
Painting	Bi-epoxy 200 μm
Screws	Stainless steel - Class A2-70
Gaskets	NBR

Characteristics

Main cable	7G1.5 + 3x1
Cable length	10 m
Mechanical seals	Nr. 2 in silicon carbide (SiC) in oil chamber

Monitoring option

Monitoring option	BB
- n.3 bimetal thermal protectors (Klixon)	
- n.1 double leakage sensor, mechanical seals chamber and stator housing (1 signal)	

BASE

KBS 4F I345 [AZ] (S) [cod. 9024.015]

SYSTEM OXY

S-OXY 150 1/15095 (NO BASE/TUBO) [cod. 7027.514]

Characteristics

Diaphragm	95 mm
Air intake pipe	DN150
Pipe diffuser	1 x DN150

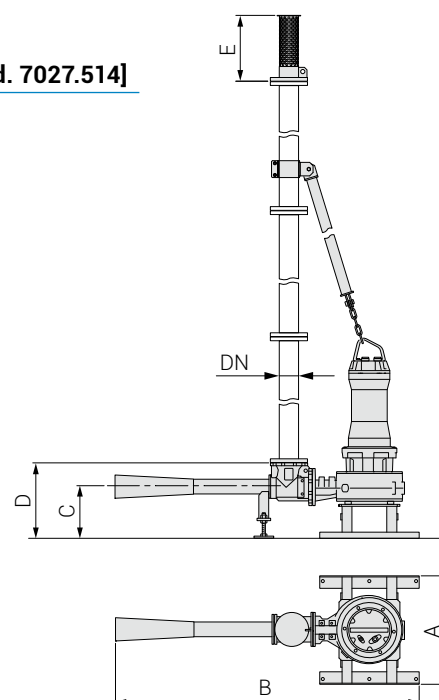
Materials

Body	Cast iron EN-GJL 250
Diffuser cone	AISI 304 stainless steel
Diaphragm coating	Vulkollan
Screws	A2 stainless steel
Painting	Environment-friendly epoxy-vinyl

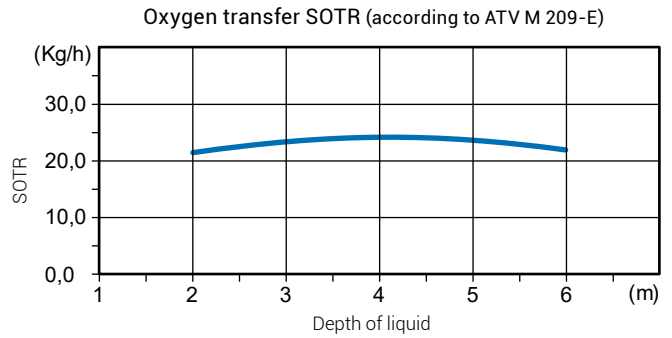
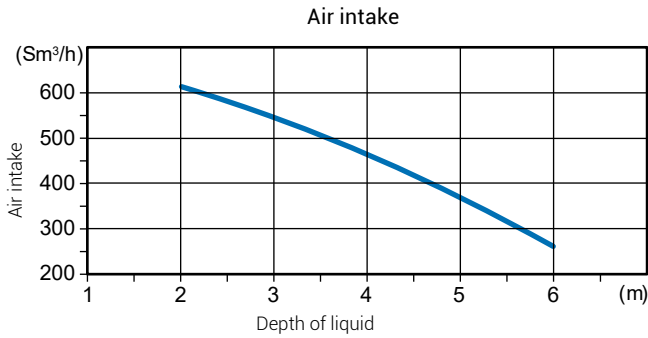
Dimensions (mm)

A	700	E	554
B	2128	F	-
C	351	DN	150
D	544	Weight (*)	428 kg

(*) Air intake pipe not included



J-OXY 2 ZUG OC 250H 15/4 AW 269 SA



PUMP

ZUG OC 250H 15/4 AW 269 SA

Motor data

Rated voltage	400 V
Frequency	50 Hz
Motor phases	3~
Number of poles	4
Rated power P2	15.0 kW
Incoming power P1	16.3 kW
Rated current	28.2 A
rpm	1470 1/min
Efficiency	91.9 %
cos φ	0.84
Start	Y/Δ
Starting current	59.4 A
Degree of protection	IP68
Insulation class	H
Motor efficiency class ref	IE3
Weight	398.2 kg

Hydraulic

Free passage	80 mm
Impeller type	Open channels
Discharge	DN250

Materials

Case	Cast iron EN-GJL 250
Shaft	AISI 431 stainless steel
Hydraulic	Cast iron EN-GJL 250
Impeller	Cast iron EN-GJL 250
Painting	Bi-epoxy 200 μm
Screws	Stainless steel - Class A2-70
Gaskets	NBR

Characteristics

Main cable	7G1.5 + 3x1
Cable length	10 m
Mechanical seals	Nr. 2 in silicon carbide (SiC) in oil chamber

Monitoring option

Monitoring option	BB
- n.3 bimetal thermal protectors (Klixon)	
- n.1 double leakage sensor, mechanical seals chamber and stator housing (1 signal)	

BASE

KBS 4F I480 [AZ]+SUP 200 (S) [cod. 9024.032]

SYSTEM OXY

S-OXY 250 2/15095 (NO BASE/TUBO) [cod. 7027.511]

Characteristics

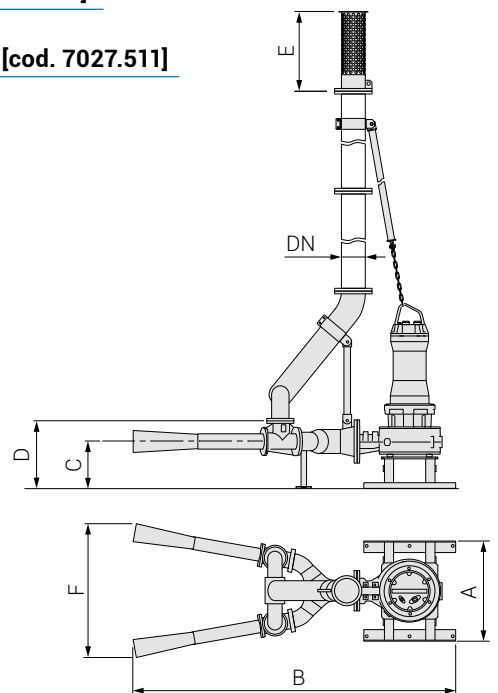
Diaphragm	2 x 95mm
Air intake pipe	DN200
Pipe diffuser	2 x DN150

Materials

Body	Cast iron EN-GJL 250
Diffuser cone	AISI 304 stainless steel
Diaphragm coating	Vulkollan
Screws	A2 stainless steel
Painting	Environment-friendly epoxy-vinyl

Dimensions (mm)

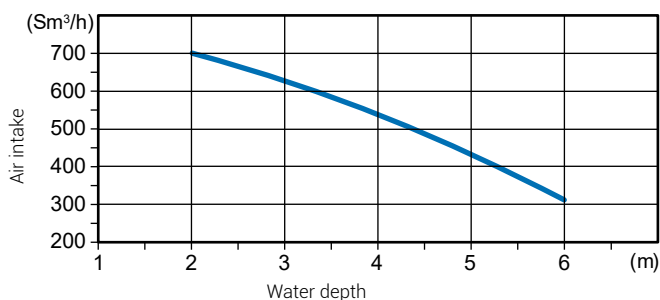
A	932	E	778
B	2916	F	1363
C	432	DN	200
D	1805	(*)	698.2 kg



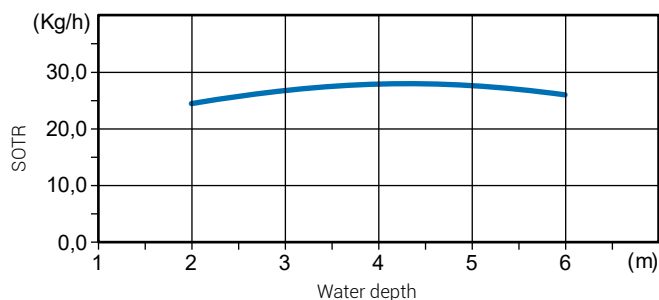
(*) Air intake pipe not included

J-OXY 2 ZUG OC 250H 18.5/4 AW 275 SA

Air intake



Oxygen transfer SOTR (according to ATV M 209-E)



PUMP

ZUG OC 250H 18.5/4 AW 275 SA

Motor data

Rated voltage	400 V
Frequency	50 Hz
Motor phases	3~
Number of poles	4
Rated power P2	18.5 kW
Incoming power P1	20.0 kW
Rated current	35.2 A
rpm	1469 1/min
Efficiency	92.6 %
cos φ	0.82
Start	Y/Δ
Starting current	78.6 A
Degree of protection	IP68
Insulation class	H
Motor efficiency class ref	IE3
Weight	482.8 kg

Hydraulic

Free passage	80 mm
Impeller type	Open channels
Discharge	DN250

Materials

Case	Cast iron EN-GJL 250
Shaft	AISI 431 stainless steel
Hydraulic	Cast iron EN-GJL 250
Impeller	Cast iron EN-GJL 250
Painting	Bi-epoxy 200 μm
Screws	Stainless steel - Class A2-70
Gaskets	NBR

Characteristics

Main cable	7G4 + 3x1
Cable length	10 m
Mechanical seals	Nr. 2 in silicon carbide (SiC) in oil chamber

Monitoring option

Monitoring option	BB
- n.3 bimetal thermal protectors (Klixon)	
- n.1 double leakage sensor, mechanical seals chamber and stator housing (1 signal)	

BASE

KBS 4F I480 [AZ]+SUP 200 (S) [cod. 9024.032]

SYSTEM OXY

S-OXY 250 2/15095 (NO BASE/TUBO) [cod. 7027.511]

Characteristics

Diaphragm	2 x 95mm
Air intake pipe	DN200
Pipe diffuser	2 x DN150

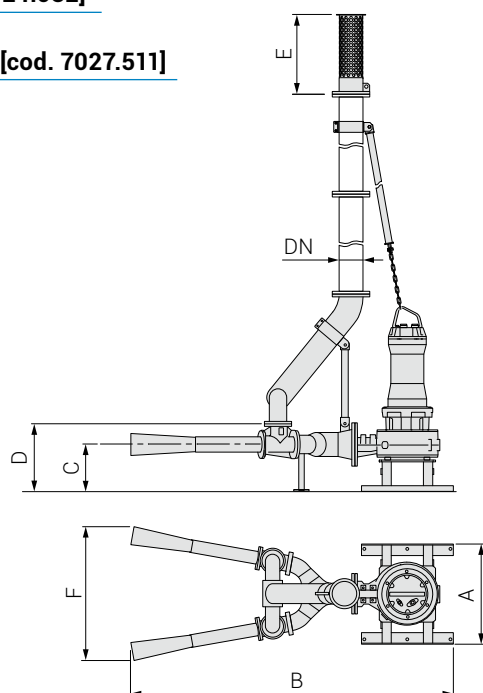
Materials

Body	Cast iron EN-GJL 250
Diffuser cone	AISI 304 stainless steel
Diaphragm coating	Vulkollan
Screws	A2 stainless steel
Painting	Environment-friendly epoxy-vinyl

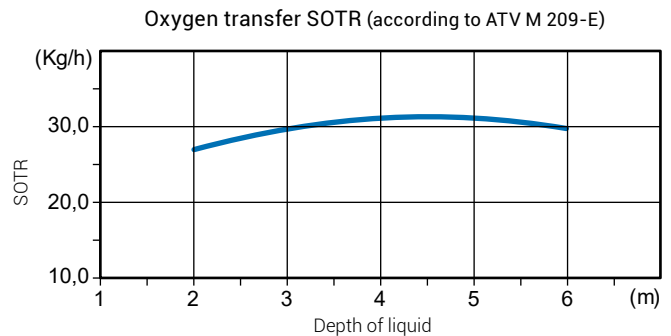
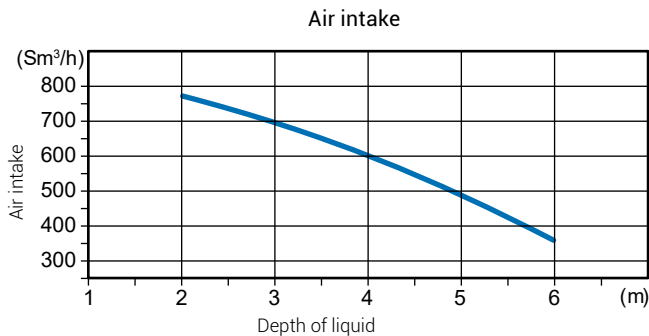
Dimensions (mm)

A	932	E	778
B	2916	F	1363
C	432	DN	200
D	1805	(*)	782.8 kg

(*) Air intake pipe not included



J-OXY 2 ZUG OC 250H 22/4 AW 290 SA



PUMP

ZUG OC 250H 22/4 AW 290 SA

Motor data

Rated voltage	400 V
Frequency	50 Hz
Motor phases	3~
Number of poles	4
Rated power P2	22.0 kW
Incoming power P1	23.6 kW
Rated current	40.6 A
rpm	1470 1/min
Efficiency	93.1 %
cos φ	0.84
Start	Y/Δ
Starting current	89.1 A
Degree of protection	IP68
Insulation class	H
Motor efficiency class ref	IE3
Weight	499.7 kg

Hydraulic

Free passage	80 mm
Impeller type	Open channels
Discharge	DN250

Materials

Case	Cast iron EN-GJL 250
Shaft	AISI 431 stainless steel
Hydraulic	Cast iron EN-GJL 250
Impeller	Cast iron EN-GJL 250
Painting	Bi-epoxy 200 μm
Screws	Stainless steel - Class A2-70
Gaskets	NBR

Characteristics

Main cable	7G4 + 3x1
Cable length	10 m
Mechanical seals	Nr. 2 in silicon carbide (SiC) in oil chamber

Monitoring option

Monitoring option	BB
	- n.3 bimetal thermal protectors (Klixon)
	- n.1 double leakage sensor, mechanical seals chamber and stator housing (1 signal)

BASE

KBS 4F I480 [AZ]+SUP 200 (S) [cod. 9024.032]

SYSTEM OXY

S-OXY 250 2/15095 (NO BASE/TUBO) [cod. 7027.511]

Characteristics

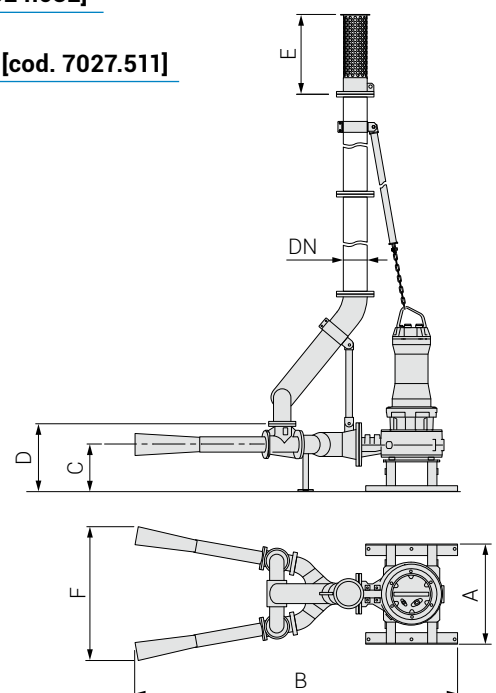
Diaphragm	2 x 95mm
Air intake pipe	DN200
Pipe diffuser	2 x DN150

Materials

Body	Cast iron EN-GJL 250
Diffuser cone	AISI 304 stainless steel
Diaphragm coating	Vulkollan
Screws	A2 stainless steel
Painting	Environment-friendly epoxy-vinyl

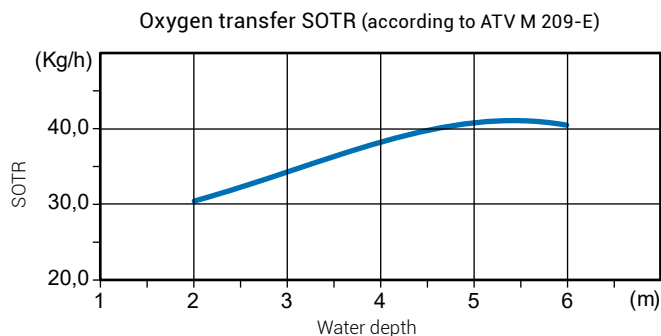
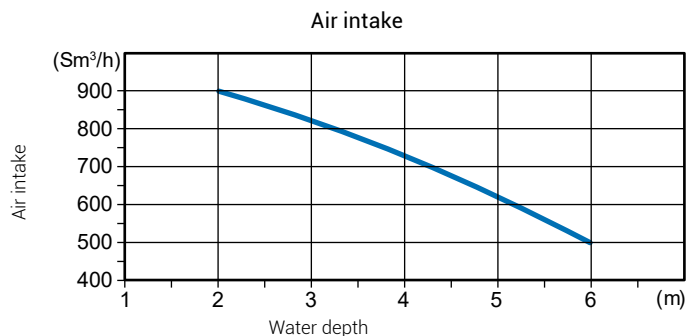
Dimensions (mm)

A	932	E	778
B	2916	F	1363
C	432	DN	200
D	1805	(*)	799.7 kg



(*) Air intake pipe not included

J-OXY 2 ZUG OC 250H 30/4 AW 315 SA



PUMP

ZUG OC 250H 30/4 AW 315 SA

Motor data

Rated voltage	400 V
Frequency	50 Hz
Motor phases	3~
Number of poles	4
Rated power P2	30.0 kW
Incoming power P1	32,1 kW
Rated current	55.7 A
rpm	1470 1/min
Efficiency	93.6 %
cos φ	0.83
Start	Y/Δ
Starting current	120.7 A
Degree of protection	IP68
Insulation class	H
Motor efficiency class ref	IE3
Weight	537.7 kg

Hydraulic

Free passage	80 mm
Impeller type	Open channels
Discharge	DN250

Materials

Case	Cast iron EN-GJL 250
Shaft	AISI 431 stainless steel
Hydraulic	Cast iron EN-GJL 250
Impeller	Cast iron EN-GJL 250
Painting	Bi-epoxy 200 μm
Screws	Stainless steel - Class A2-70
Gaskets	NBR

Characteristics

Main cable	2 x 4G6
Cable length	10 m
Mechanical seals	Nr. 2 in silicon carbide (SiC) in oil chamber

Monitoring option

Monitoring option	BB
	- n.3 bimetal thermal protectors (Klixon)
	- n.1 double leakage sensor, mechanical seals chamber and stator housing (1 signal)

BASE

KBS 4F I480 [AZ]+SUP 200 (S) [cod. 9024.032]

SYSTEM OXY

S-OXY 250 2/15095 (NO BASE/TUBO) [cod. 7027.511]

Characteristics

Diaphragm	2 x 95mm
Air intake pipe	DN200
Pipe diffuser	2 x DN150

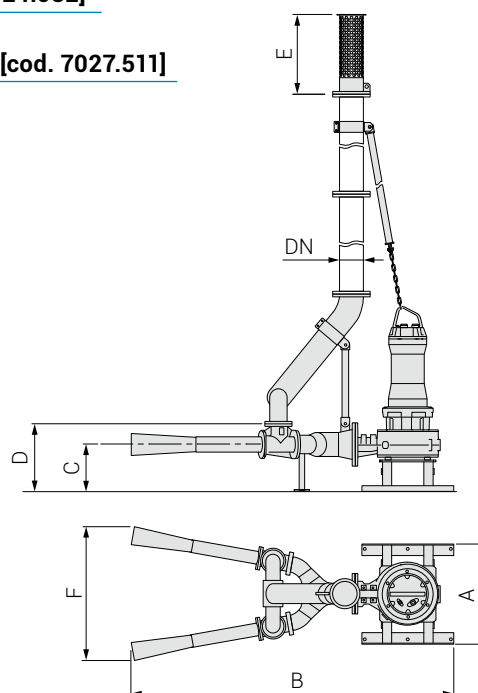
Materials

Body	Cast iron EN-GJL 250
Diffuser cone	AISI 304 stainless steel
Diaphragm coating	Vulkollan
Screws	A2 stainless steel
Painting	Environment-friendly epoxy-vinyl

Dimensions (mm)

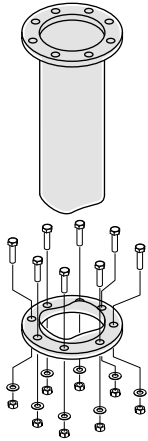
A	932	E	778
B	2916	F	1363
C	432	DN	200
D	1805	Weight (*)	837.7 kg

(*) Air intake pipe not included

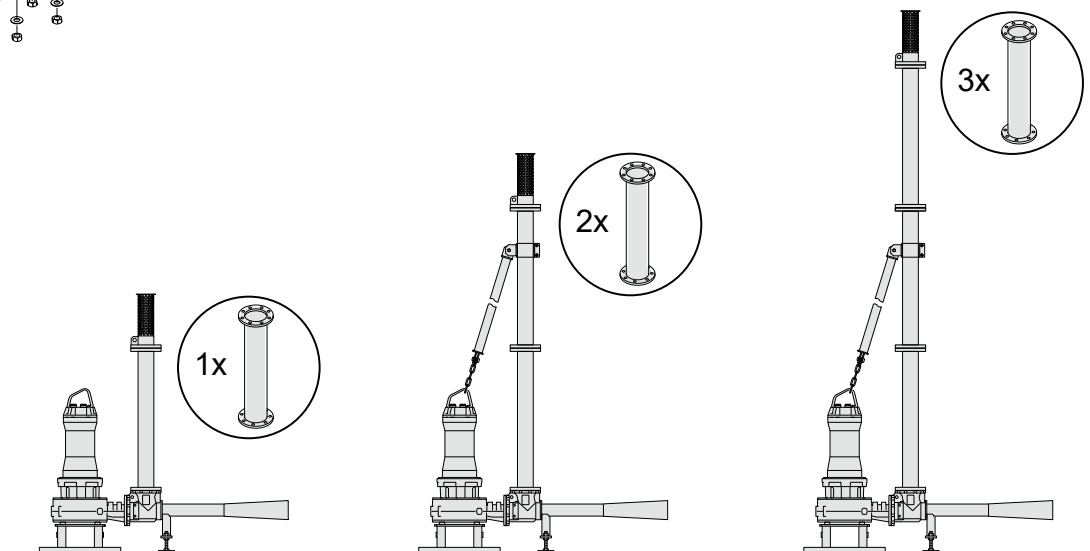


Suction pipe kit

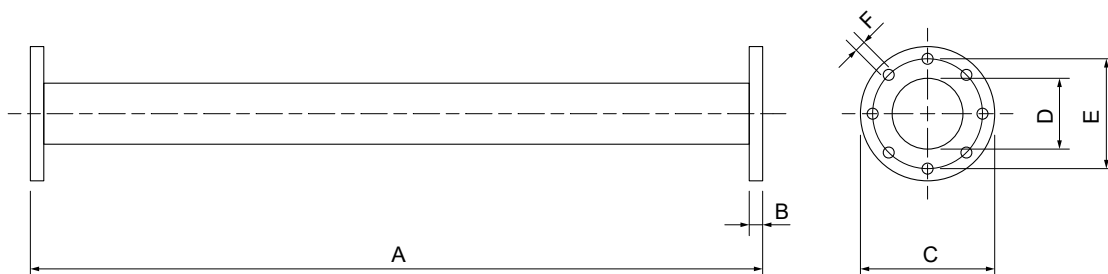
JET OXY is supplied, in STANDARD configuration, without suction pipes so that the customer can procure them locally, if more convenient. A kit including a suction pipe and a set of screws for ONE flange are supplied on request. All pipes are 120 cm long to be conveniently packed on normal EURO pallets (80x120) and shipped guaranteeing integrity with no additional costs for oversized items.



Code	Product name	Description
7050.001	SUCTION PIPE KIT DN100 PN10	<ul style="list-style-type: none"> • 1 suction pipe DN100 length cm 120 • 8 screws 16x60 TE UNI A2-70 • 8 nuts M16 UNI A2-70 • 1 commercial gasket DN100
7050.002	SUCTION PIPE KIT DN150 PN10	<ul style="list-style-type: none"> • 1 suction pipe DN150 length cm 120 • 8 screws 20x80 TE UNI A2-70 • 8 nuts M20 UNI A2-70 • 1 commercial gasket DN150
7050.003	SUCTION PIPE KIT DN200 PN10	<ul style="list-style-type: none"> • 1 suction pipe DN200 length cm 120 • 8 screws 20x80 TE UNI A2-70 • 8 nuts M20 UNI A2-70 • 1 commercial gasket DN200



Dimensions

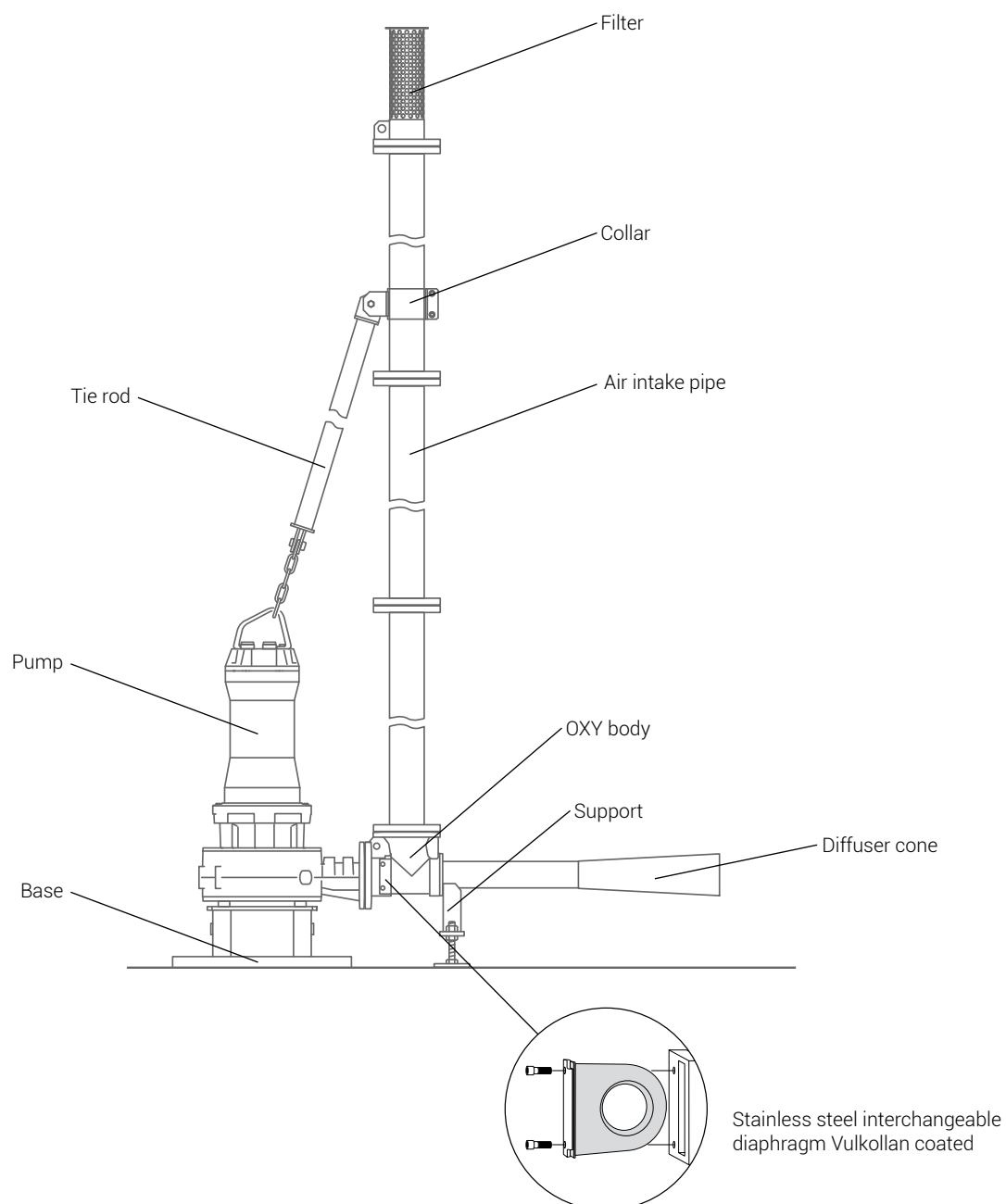


	A (mm)	B (mm)	C (mm)	D (mm)	E (mm)	F (mm)	Nr. holes
DN100	1200	22	220	116	180	18	8
DN150	1200	24	285	170.5	240	22	8
DN200	1200	26	340	221.5	295	22	8

Installation

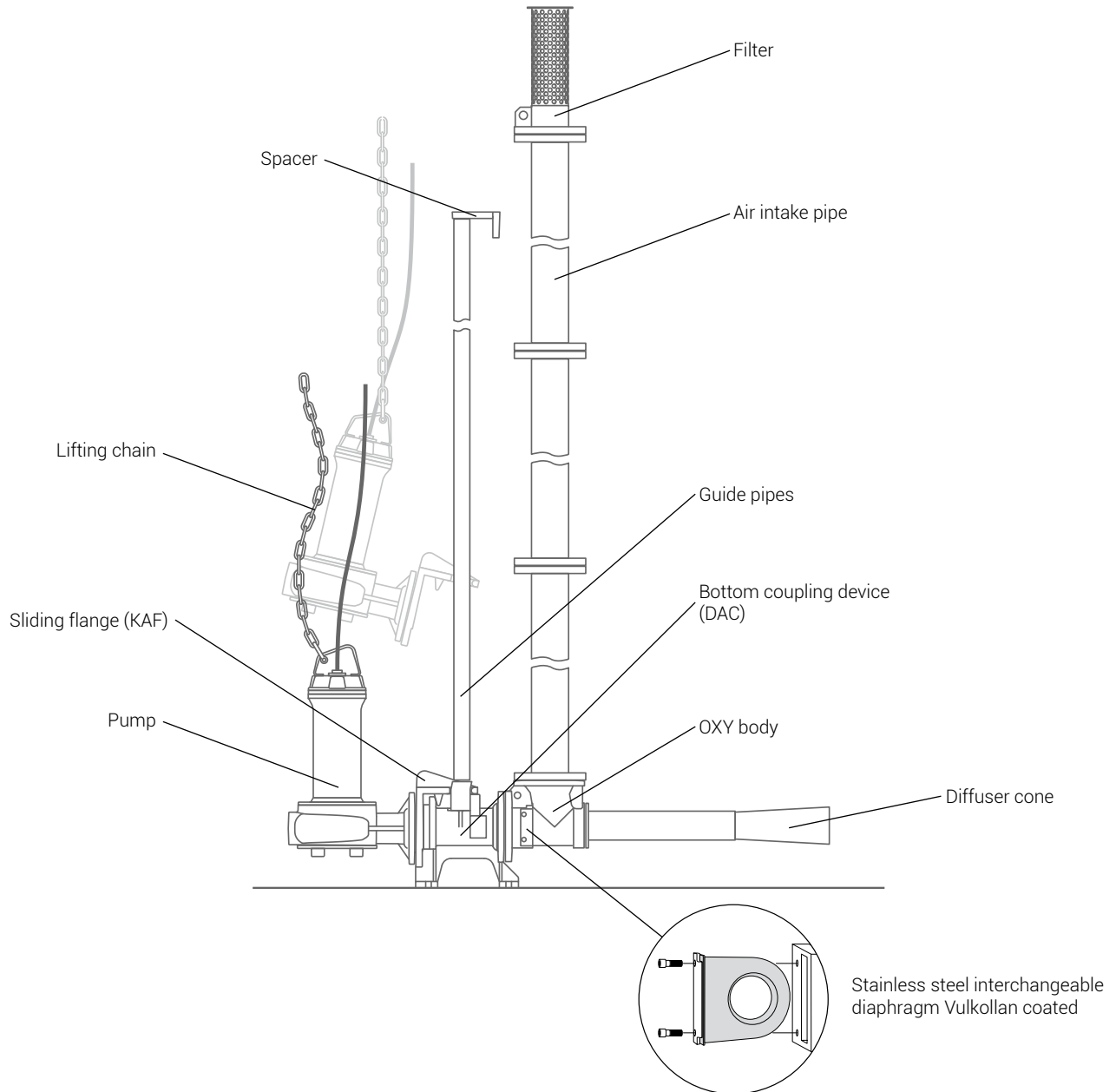
MOBILE installation with base

The pump and the JET OXY body are firmly joined and rest on the bottom of the tank by means of metal bases. The entire system can be extracted for maintenance even when the tank is full.



Fixed installation with bottom coupling device

The JET OXY body is attached to the coupling device fixed to the bottom of the tank. The pump is lowered to the coupling device by means of a special flange, connected to the delivery line, which runs along the guide pipes and a chain coupled to the handle. In this way, the pump can be lifted and extracted for maintenance even when the tank is full while the JET OXY system remains inside the tank.



Bottom coupling devices compatible with JET OXY system

Code	Description	Ø suction (pump side)	Ø outlet (OXY side)	nr - Ø guide pipes	Weight (kg)
9001.020	DAC 80/80H +KAF 116-2" EN (P)	DN80	DN80	2 - 2"	160
9001.019	DAC 100/100H +KAF 116-2" EN (P)	DN100	DN100	2 - 2"	180
9001.009	DAC 150/150H +KAF 116-2" EN (P)	DN150	DN150	2 - 2"	240
9001.018	DAC 250/250H +KAF 116-2" EN (P)	DN250	DN250	2 - 2"	350



better together